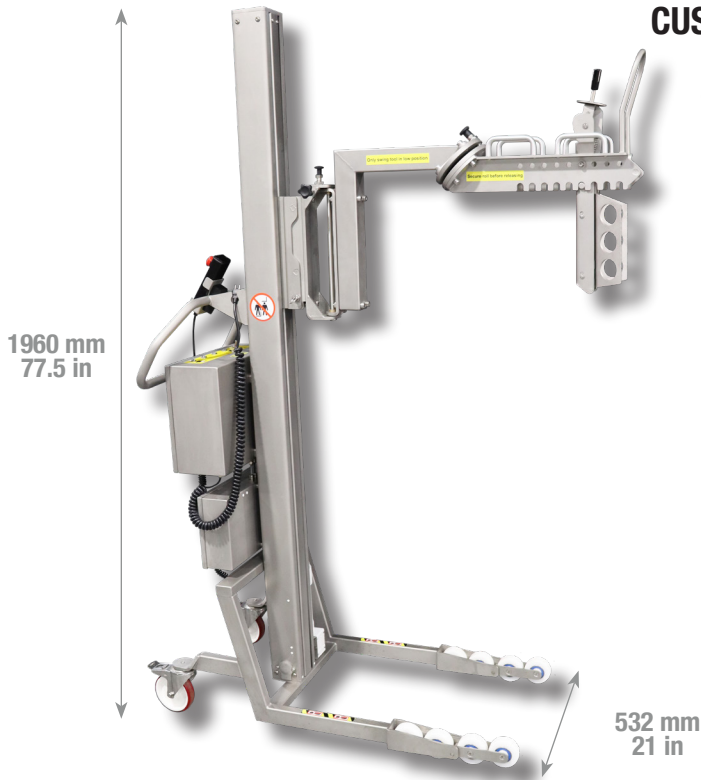


CUSTOMIZABLE TO FIT ANY APPLICATION OR ENVIRONMENT



KEY FEATURES:

- Fits through standard 7' door
- Food grade stainless steel (IP65) or painted steel (IP31)
- Rocking pallet wheels for closed lip pallets
- Narrow wheel base to fit tight production lines
- 150 kg / 331 lbs lifting capacity
- Charged on 110 V outlet

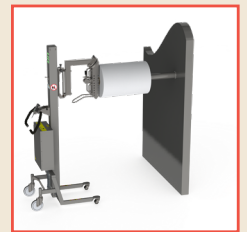


Rocking Pallet Wheels

Helps guide Safety Lift under pallets smoothly

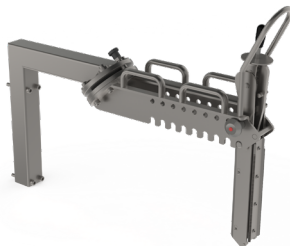
SPECIFICATIONS:

- 6 hour max. charging time
- Remote control with e-stop
- Also available in 500 kg / 1,102 lbs



NOTABLE ATTACHMENTS

Vertical Rotating Spindle
For rolls up to 120 kg,
600 mm length, 600 mm
diameter



Tray with Rollers

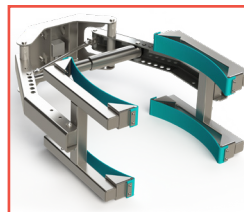


Dual Spindle



Crane

Straight Line Spindle
For rolls up to 120 kg,
900 mm length, 900 mm
diameter



Clamp

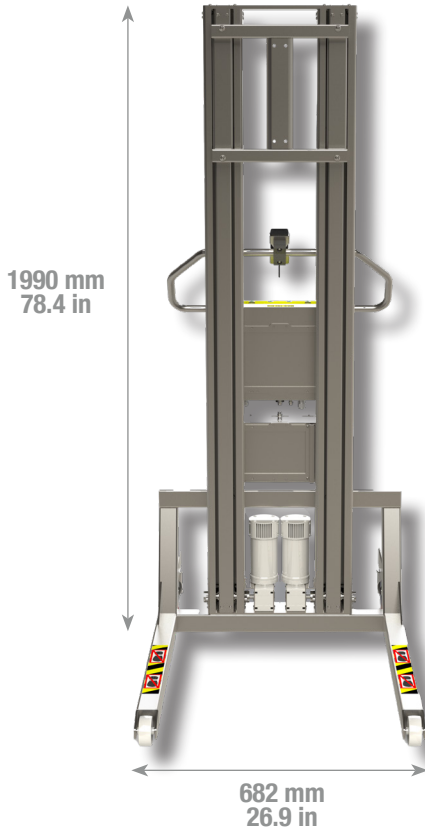


Forward Tilt
Bowl Tipper



Anti-Telescoping
Vertical Spindle

CUSTOMIZABLE TO FIT ANY APPLICATION OR ENVIRONMENT



KEY FEATURES:

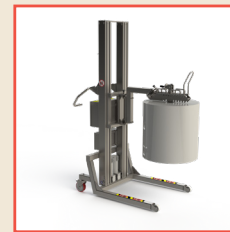
- Fits through standard 7' door
- Food grade stainless steel (IP65) or painted steel (IP31)
- Rocking pallet wheels for closed lip pallets
- Dual lifting columns for better stability
- 300 kg / 661 lbs lifting capacity
- Charged on 110 V outlet



Rocking Pallet Wheels
Helps guide Safety Lift under pallets smoothly

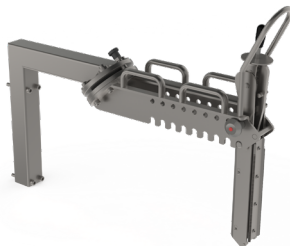
SPECIFICATIONS:

- 6 hour max. charging time
- Remote control with e-stop
- Also available in 500 kg / 1,102 lbs



NOTABLE ATTACHMENTS

Vertical Rotating Spindle
For rolls up to 200 kg,
600 mm length, 600 mm
diameter



Adjustable Dual
Spindle



Drum Lifter



Crane

Straight Line Spindle
For rolls up to 270 kg,
1,000 mm length, 900 mm
diameter



Mechanical
Clamp



Adjustable
Straight Spindle



Anti-Telescoping
Vertical Spindle